

TOP VALUES – SIMPLE FACTS:
NORI[®] 500, NORI[®] 320 & NORI[®] 160



Built on experience – designed for the future: NORI[®] 500, NORI[®] 320 and NORI[®] 160

NORI[®] 160

THREADED BUSH FREE FROM NONFERROUS METAL, SUPPORTED BY NEEDLE BEARINGS

Your benefit:

- Smooth actuation

DIN ISO FLANGE

Your benefit:

- Simple and cost-efficient installation of actuators without having to dismantle the pressure-retaining components
- No conversion required

YOKE BUSH FREE FROM NONFERROUS METAL, WITH TRAPEZOID THREAD (NITRIDED)

Your benefit:

- High functional reliability

PURE-GRAPHITE GLAND PACKING

Your benefit:

- Increased leak tightness
- Easy to service
- Reliable sealing to atmosphere

TORQUE-FREE BACK SEAT

Your benefit:

- Back-up stem seal for emergency operation
- Anti-blow out device to protect staff and plant

INTERNALLY AND EXTERNALLY CONFINED SERRATED BONNET SEAL

Your benefit:

- Reliable sealing to atmosphere

VALVE SEAT MADE OF WEAR AND CORROSION RESISTANT MATERIALS

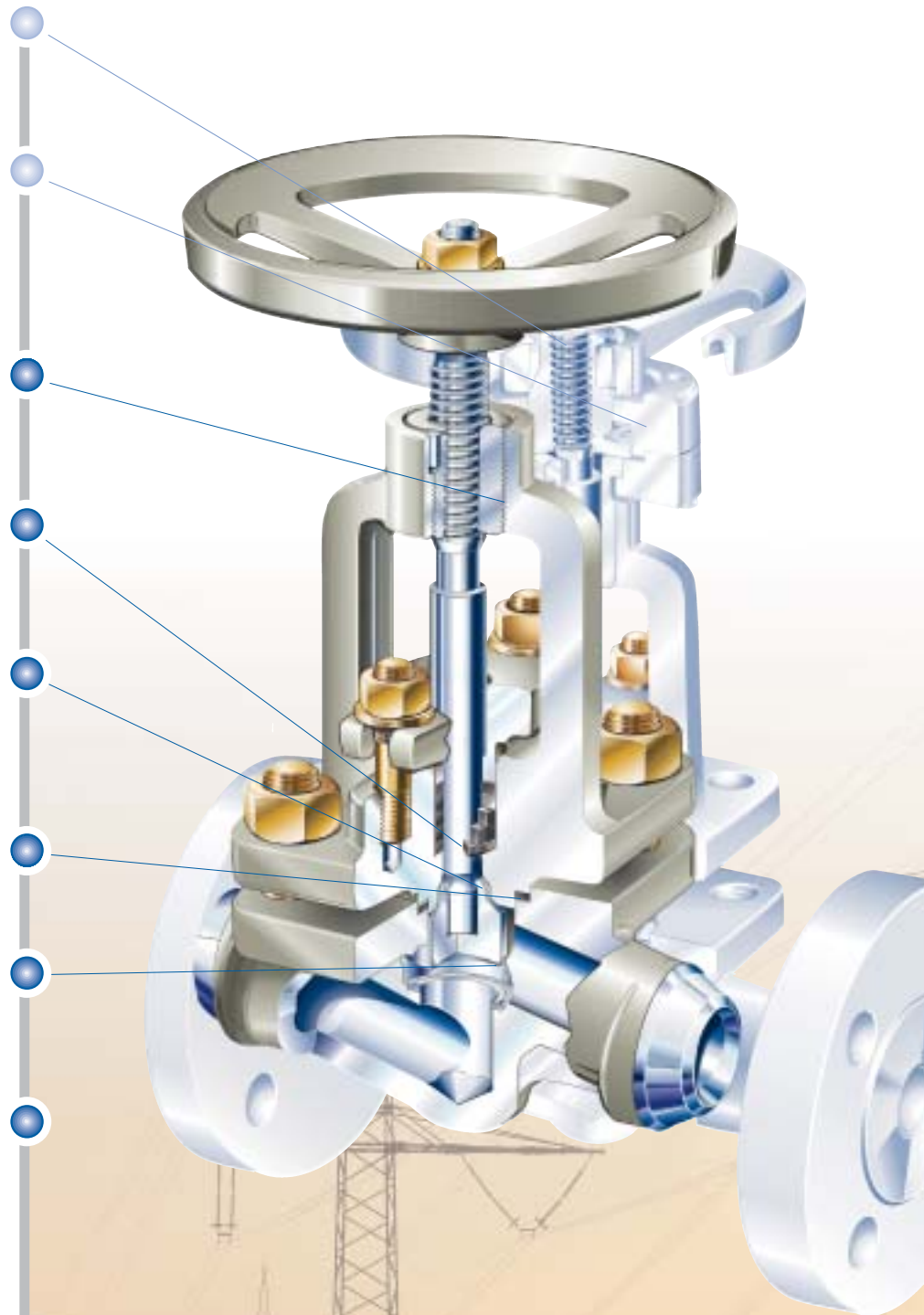
Your benefit:

- High functional reliability
- Long service life

OLIVE-CHROMATED BOLTS AND NUTS

Your benefit:

- Corrosion-resistant
- Easy to repair



Convincing arguments:

For more than 125 years, pumps and valves by KSB have been a veritable success story. No wonder, since some 12,800 employees around the world are committed to that goal. KSB's comprehensive pump and valve programme – for pressures up to 600 bar and temperatures up to 650°C – guarantees maximum safety standards, be it in industry and power engineering or other demanding applications. Under the most

severe operating conditions, KSB globe and gate valves satisfy the most stringent of process requirements while meeting global engineering standards. KSB pumps and valves do service in more than 1,000 power plants. KSB's comprehensive field service ensures high levels of plant availability. Not least among the arguments most convincing for KSB customers are the products' good cost-benefit ratios and great per-

formance. With NORI[®] 160, NORI[®] 320 and now NORI[®] 500, KSB provides globe valve series for first-class operation and function as well as ensured long-term leak tightness.

The new NORI[®] 500, featuring a single-piece body without separate bonnet, optimally and reliably covers even the most demanding industrial and power engineering applications.



NORI[®] 500

Applications: industrial plants, power stations, process engineering systems, shipbuilding; water, steam, gas, oil and other non-aggressive media

Temperature range: up to 580 °C, up to 650 °C if special materials are used

Nominal pressure range: PN 250-500

Nominal diameters: DN 10-65

NORI[®] 320

Applications: industrial plants, power stations, process engineering systems, shipbuilding; water, steam, gas, oil and other non-aggressive media

Temperature range: up to 580 °C

Nominal pressure range: PN 250-320

Nominal diameters: DN 10-50



NORI[®] 160

Applications: industrial plants, power stations, process engineering systems, shipbuilding; water, steam, gas, oil and other non-aggressive media

Temperature range: up to 550 °C

Nominal pressure range: PN 63-160

Nominal diameters: DN 10-200

NORI[®] 500

THREADED BUSH FREE FROM NONFERROUS METAL GUIDED BETWEEN NEEDLE BEARINGS; WITH CUP SPRINGS AND COVER PLATE

Your benefit:

- Smooth opening and closing operation
- Absolute tight sealing at disc/seat interface even with fluctuating temperatures
- Insensitive to dirt

YOKE TOP WITH BAYONET JOINT DESIGNED TO ACCEPT A DIN ISO FLANGE

Your benefit:

- Simple installation of actuators without having to dismantle the pressure-retaining components
- No conversion required

POSITION INDICATOR AS A STANDARD WITH LOCATING DEVICE TO HOLD THE STEM IN PLACE

Your benefit:

- Globe valve position can always be checked
- High operating reliability

PURE-GRAPHITE GLAND PACKING

Your benefit:

- Easy to service
- Reliable sealing to atmosphere

BAYONET-TYPE VALVE BODY/YOKE JOINT

Your benefit:

- Easy to service through fast and simple installation and dismantling

SINGLE-PIECE BODY WITHOUT SEPARATE BONNET

Your benefit:

- No bonnet bolts that need to be retightened
- Just one sealing point to atmosphere

THROTTLING VALVE PLUG AS A STANDARD

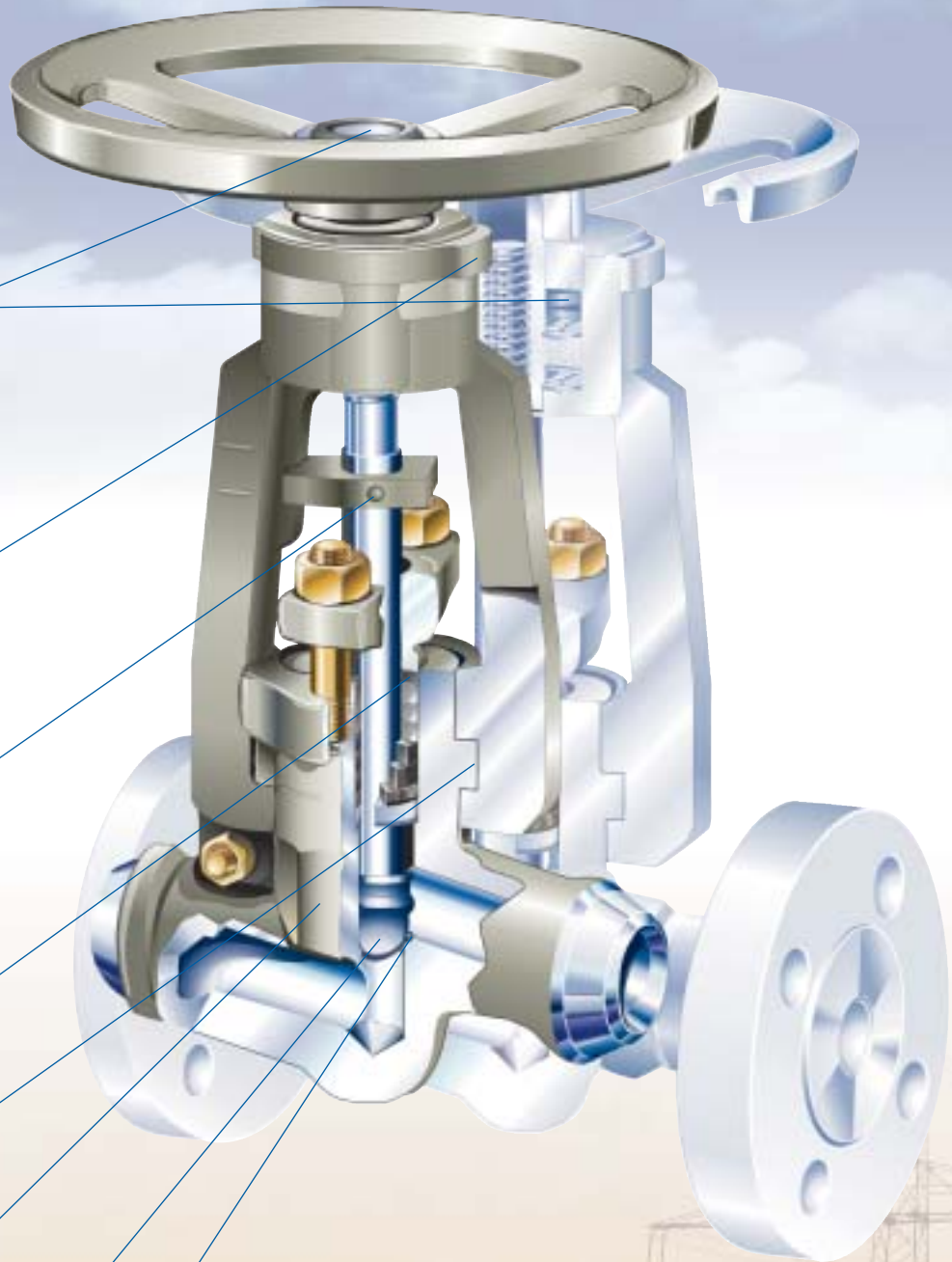
Your benefit:

- One valve model for shut-off and throttling
- Reduction in inventories and spare parts

VALVE SEAT MADE OF WEAR AND CORROSION RESISTANT STELLITE

Your benefit:

- High functional reliability
- Long service life



NORI® 320

THREADED BUSH FREE FROM NON-FERROUS METAL, WITH COVER PLATE AND SUPPORTED BY NEEDLE BEARINGS

Your benefit:

- Smooth actuation
- Insensitive to dirt

YOKE TOP DESIGNED TO ACCEPT A DIN ISO FLANGE

Your benefit:

- Installation of actuators without having to dismantle the pressure-retaining components

POSITION INDICATOR AS A STANDARD WITH LOCATING DEVICE TO HOLD THE STEM IN PLACE

Your benefit:

- Globe valve position can always be checked
- High operating reliability

PURE-GRAPHITE GLAND PACKING

Your benefit:

- Easy to service
- Reliable sealing to atmosphere

BAYONET-TYPE VALVE BODY/YOKE JOINT

Your benefit:

- Easy to service through fast and simple installation and dismantling

SINGLE-PIECE BODY WITHOUT SEPARATE BONNET

Your benefit:

- No bonnet bolts that need to be retightened
- Just one sealing point to atmosphere

THROTTLING VALVE PLUG AS A STANDARD

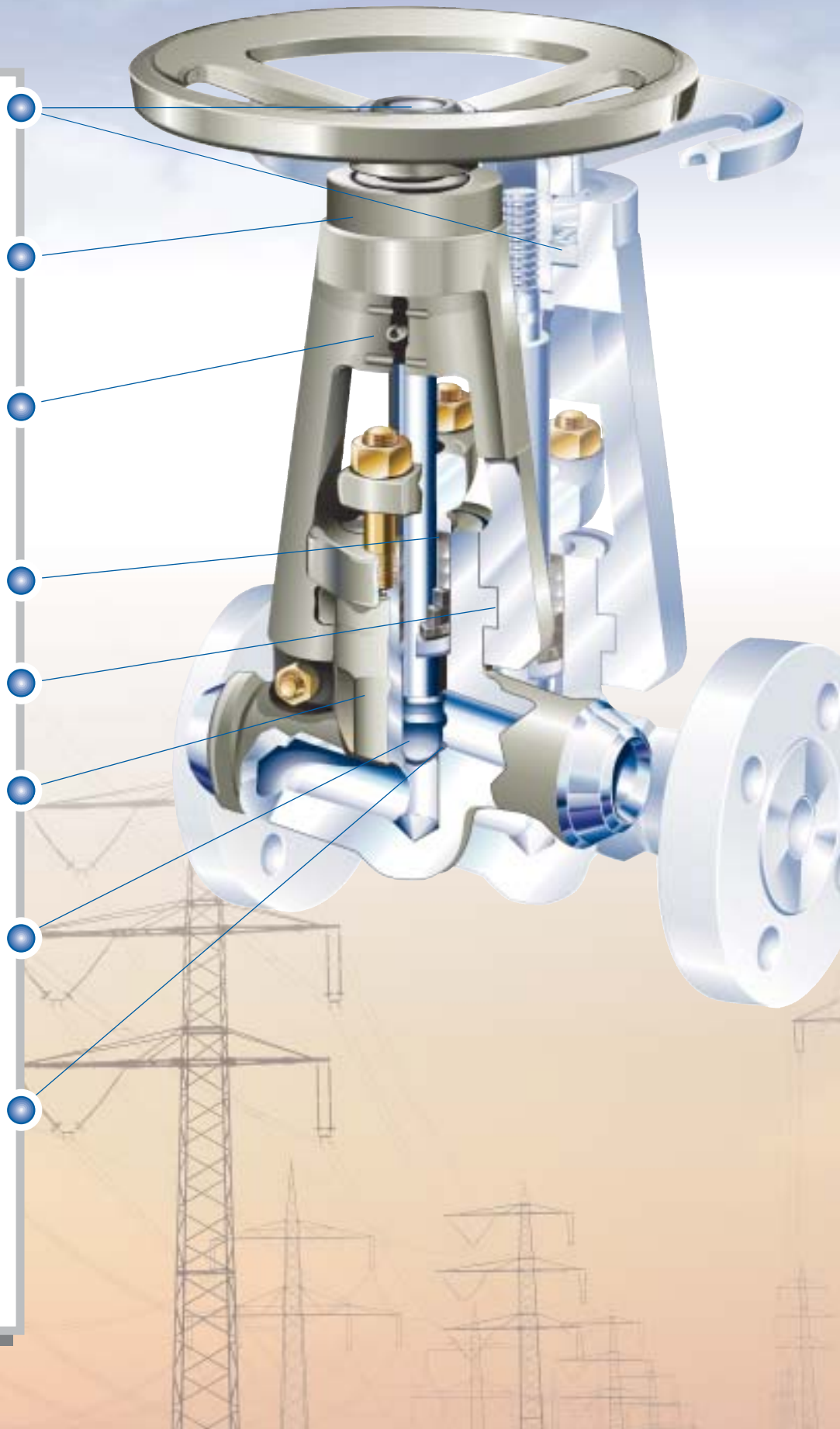
Your benefit:

- One valve model for shut-off and throttling
- Reduction in inventories and spare parts

VALVE SEAT MADE OF WEAR AND CORROSION RESISTANT STELLITE

Your benefit:

- High functional reliability
- Long service life



KSB valves worldwide - we are where you are

KSB Valves in Europe

AUSTRIA

KSB Österreich Gesellschaft mbH, Vienna
Tel: +43 (1) 91 03 00
Fax: +43 (1) 91 03 02 02

BELGIUM

N.V. KSB Belgium S.A., Wavre
Tel: +32 (10) 43 52 11
Fax: +32 (10) 43 52 55

CZECH REPUBLIC

KSB Pumpy + Armatury, spol. s r.o., Prague
Tel: +420 (2) 41 48 02 09
Fax: +420 (2) 41 48 01 23

DENMARK

KSB A/S, Rødovre
Tel: +45 (36) 73 00 73
Fax: +45 (36) 73 00 74

FINLAND

Mercantile KSB Oy Ab, Helsinki
Tel: +358 (9) 3 45 01
Fax: +358 (9) 34 50 56 85

FRANCE

KSB S.A. (AMRI), La Roche Chalais
Tel: +33 (5) 53 92 44 00
Fax: +33 (5) 53 92 44 01

GERMANY

KSB Armaturen GmbH, Pegnitz
Tel: +49 (92 41) 71 16 56
Fax: +49 (92 41) 71 17 95

GREAT BRITAIN

KSB Limited, Loughborough
Tel: +44 (15 09) 23 18 72
Fax: +44 (15 09) 21 52 28

GREECE

KSB Tesma AG, Amaroussion
(Gate and Globe Valves)
Tel: +30 (1) 6 80 80 71
Fax: +30 (1) 6 80 80 79
General Commercial & Industrial S.A.,
Aspropyrgos (Butterfly Valves)
Tel: +30 (1) 5 57 49 28
Fax: +30 (1) 5 57 23 43

HUNGARY

KSB Szivattyu és Armatura, Kft., Budapest
Tel: +36 (1) 2 09 37 35
Fax: +36 (1) 2 09 37 78

ITALY

KSB Italia S.p.A., Concorezzo
Tel: +39 (039) 6 04 80 00
Fax: +39 (039) 6 04 81 53

LUXEMBURG

SISTO Armaturen S.A., Mersch
Tel: +352 3 25 08 51
Fax: +352 32 89 56

NETHERLANDS

KSB Nederland B.V., Zwanenburg
Tel: +31 (20) 4 07 98 00
Fax: +31 (20) 4 07 98 05
Econosto B.V., Rotterdam (SISTO)
Tel: +31 (1) 02 84 13 47
Fax: +31 (1) 02 84 12 12

NORWAY

Lindflaten A.S., Oslo
Tel: +47 (2) 2 42 39 90
Fax: +47 (2) 2 41 57 25

POLAND

KSB Pompy i Armatura Sp. z o.o.,
Warsaw
Tel: +48 (22) 6 73 08 96
Fax: +48 (22) 6 73 08 95

PORTUGAL

KSB Bombas e Válvulas S.A., Algés
Tel: +351 (21) 4 12 30 50
Fax: +351 (21) 4 12 30 55

ROMANIA

Multigama Tech SRL, Bucharest
Tel: +40 (1) 2 10 25 89
Fax: +40 (1) 2 10 14 17

RUSSIA

KSB-Repräsentanz Moskau, Moscow
Tel: +7 (095) 9 35 71 73
Fax: +7 (095) 9 35 71 69

SLOVAK REPUBLIC

KSB Cerpadlá a Armatury, spol. s.r.o.,
Bratislava
Tel: +421 (7) 43 33 39 16
Fax: +421 (7) 43 33 74 44

SPAIN

KSB-AMVI S.A., Madrid
Tel: +34 (91) 7 24 22 10
Fax: +34 (91) 7 24 22 11

SWEDEN

KSB Mörck AB, Gothenburg
Tel: +46 (31) 7 20 24 00
Fax: +46 (31) 7 20 24 99

SWITZERLAND

KSB Zürich AG, Zurich
Tel: +41 (1) 2 72 99 33
Fax: +41 (1) 2 72 66 76

TURKEY

KSB Pompa, Armatür Sanayi ve
Ticaret A.S., Ankara
Tel: +90 (312) 4 37 11 75
Fax: +90 (312) 4 37 65 37

KSB Valves in Africa

SOUTH AFRICA

KSB Pumps (S.A.) (Pty.) Ltd., Germiston
Tel: +27 (11) 8 76 56 00
Fax: +27 (11) 8 28 02 44

KSB Valves in the Americas

ARGENTINA

KSB Compañía Sudamericana de
Bombas S.A., Buenos Aires
Tel: +54 (11) 47 66 30 21
Fax: +54 (11) 47 66 54 49

BRAZIL

KSB Bombas Hidráulicas S.A.,
Várzea Paulista / São Paulo
Tel: +55 (11) 78 66 87 02
Fax: +55 (11) 78 66 87 47

CHILE

KSB Chile S.A., Santiago
Tel: +56 (2) 6 24 60 04
Fax: +56 (2) 6 24 10 20

MEXICO

KSB de Mexico S.A. de C.V., Mexico
Tel: +52 (5) 2 07 48 66
Fax: +52 (5) 5 14 18 46

USA

AMRI Inc., Houston
Tel: +1 (713) 6 82 00 00
Fax: +1 (713) 6 82 00 80

VENEZUELA

KSB Venezolana, C.A., Caracas
Tel: +58 (2) 2 39 54 90
Fax: +58 (2) 2 38 29 16

KSB Valves in Asia

AUSTRALIA

KSB Ajax Pumps Pty. Ltd., Tottenham
Tel: +61 (3) 93 14 06 11
Fax: +61 (3) 93 14 74 35

CHINA

KSB AMRI Representative Office,
Beijing
Tel: +86 (10) 65 91 57 68
Fax: +86 (10) 65 91 57 69

HONG KONG

KSB Limited, Hong Kong
Tel: +852 21 47 12 20
Fax: +852 21 47 12 30

INDIA

KSB Pumps Ltd., Coimbatore
Tel: +91 (422) 89 25 47
Fax: +91 (422) 89 26 50

INDONESIA

PT. KSB Indonesia, Jakarta
Tel: +62 (21) 45 84 20 70
Fax: +62 (21) 45 84 20 71

JAPAN

KSB Ltd., Tokyo
Tel: +81 (3) 34 32 53 77
Fax: +81 (3) 34 32 73 65

KOREA

KSB Korea Ltd., Seoul
Tel: +82 (2) 7 90 43 51
Fax: +82 (2) 7 90 43 50

MALAYSIA

KSB AMRI Malaysia, Selangor D.E.
Tel: +60 (3) 77 81 35 10
Fax: +60 (3) 77 81 35 11

PHILIPPINES

KSB Philippines Representative office
Santiago Village, Makati City
Tel: +63 (2) 8 90 98 33
Fax: +63 (2) 8 96 69 31

PAKISTAN

KSB Pumps Co. Ltd., Lahore
Tel: +92 (42) 6 30 41 73
Fax: +92 (42) 6 36 88 78

SINGAPORE

AMRI Pte. Ltd., Singapore
Tel: +65 5 55 03 66
Fax: +65 5 53 35 00

TAIWAN

KSB Taiwan Co., Ltd., Kaohsiung
Tel: +886 (7) 3 30 77 24
Fax: +886 (7) 3 30 75 48

THAILAND

KSB Pumps Co., Ltd., Bangkok
Tel: +66 (2) 9 88 23 24
Fax: +66 (2) 9 88 22 13



KSB Armaturen GmbH

Johann-Klein-Straße 9 • D-67227 Frankenthal (Pfalz)

Tel. +49 (6233) 86 22 21 • Fax +49 (6233) 86 34 76 • <http://www.ksbgroup.com>